



# smicon

improve the process

improve the future



**FILTERING**

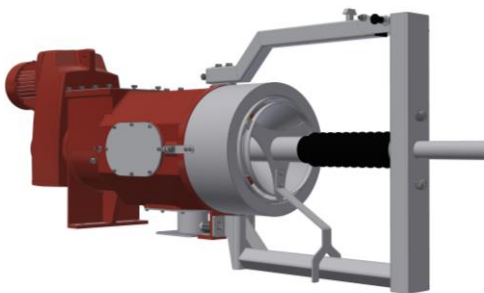


**SP280**

Since its introduction in 1998 the SP280 screw compression filter has proven its worth. This machine is ideally suited for the controlled dewatering and separation of various liquid waste and residue flows from industrial, organic and agricultural processes. With the help of an internal screw and filter, the liquid effluent is transported through the SP280. The resulting dewatered product which can in many cases be stacked, exits the machine via the delivery chamber.



- ▶ The back pressure in the delivery chamber can be adjusted with great accuracy
- ▶ Works already with a very low dry matter content in the influent stream
- ▶ No pressure build-up on the filter



**INPUT**  
RESIDUE,  
FRESH  
PRODUCED  
AND  
PACKAGED



**OUTPUT**  
EFFLUENT AND  
FIBRES

# SP280

## TECHNICAL DATA

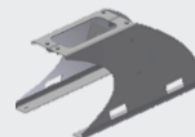
Dimensions	
Machine general	2345 x 485 x 748 mm (LxWxH)
Infeed	285 x 220 mm (LxW)
Outfeed effluent	Ø 100 mm
Outfeed fibres	Ø 280 mm
Transport dimensions	2500 x 1000 x 1550 mm (LxWxH)
Transport volume	3,875 m <sup>3</sup>
Clearance area	3021 x 1970 x 1342 mm (LxWxH)
Filter surface	0,35 m <sup>2</sup>
Filter mesh size (gap width)	500, 750, 1000 µm
Weight	
Weight	390 kg
Floor load per feet	1,95 kN static (see □)
Transport weight	420 kg
Drive	
Power	3,0 kW
RPM shaft	16 RPM
Product information	
Capacity	1-100 m <sup>3</sup> /hour
Maximum ball passage	Ø 50 mm
Product temperature	1-70 °C
Dry matter	1-42 %
Other specifications	
A-weighted sound pressure level	<74 dB
C-weighted instantaneous sound pressure	<130 dB
Technical data is specified according to the machine without accessories	

### Accessories

Frame 1



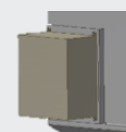
Frame 2



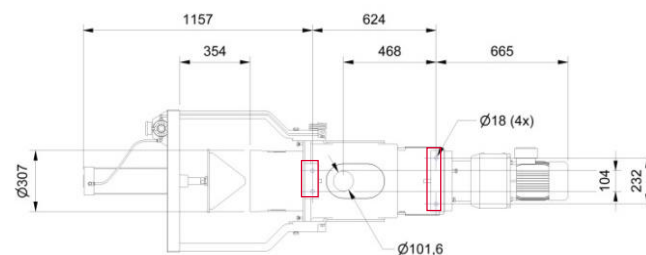
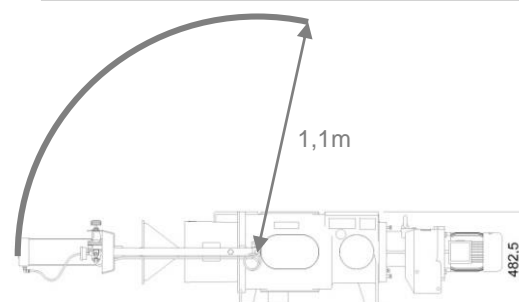
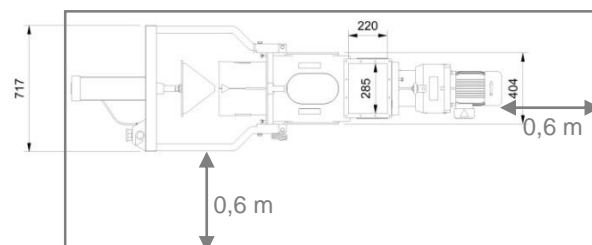
Infeed funnel



Control panel



### Clearance area and illustrations



Smicon can deliver machines inclusive of controles, assembly, turnkey and service plan