

# UNTHA

The reliable brand!



## LR520

Shredding solutions for economic  
processing of waste wood

# The tried-and-tested UNTHA cutting system

## Single-shaft cutting system:

The single-shaft cutting system was developed for efficient shredding, a long service life of the indexable inserts and low maintenance. Together with the high-performance power train, it ensures the reliable shredding of residual wood, both with and without a pusher system.

### Smooth rotor shape

The smooth, full-steel rotor enables the indexable inserts to dig deeper into the material than a highly profiled rotor, resulting in excellent material feed-in.

### Cut-as-you-pull

The unique shape of the indexable inserts makes for a “cut-as-you-pull” effect, which means that the unit requires less power and achieves a higher throughput.

### Screwed-in blade holders

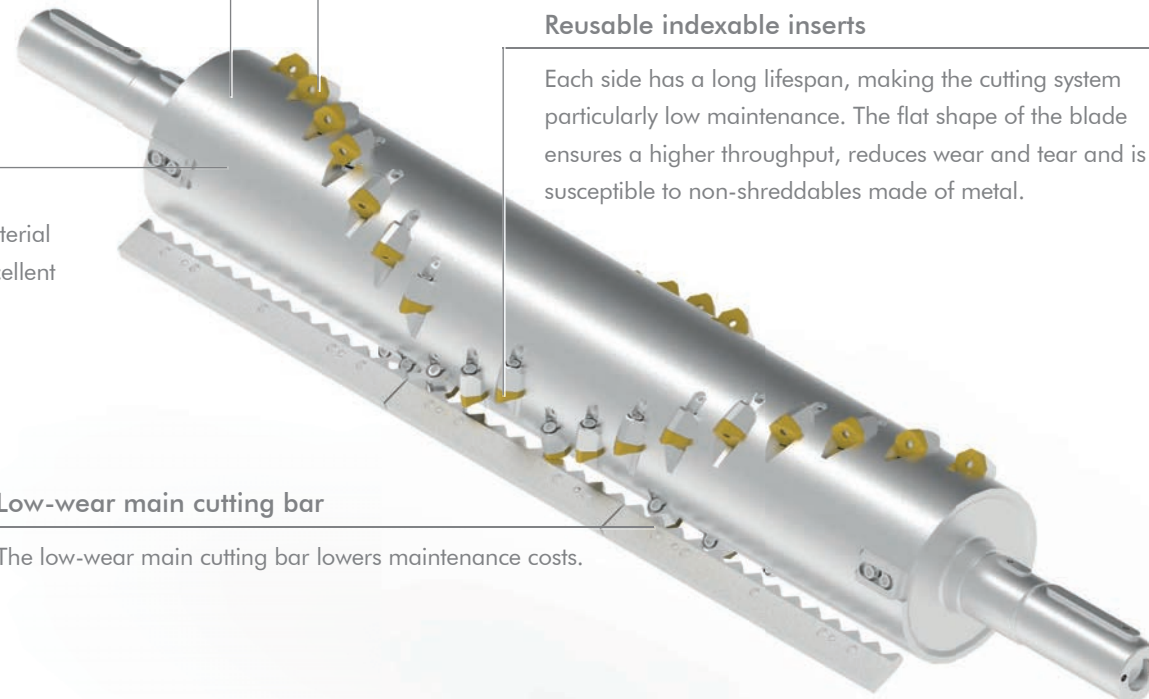
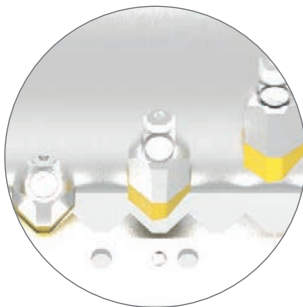
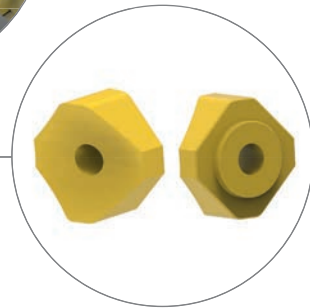
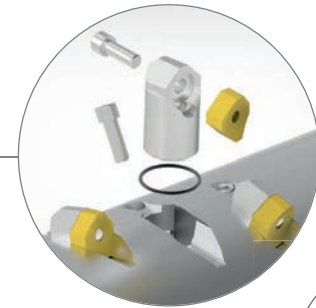
The screwed-in, exchangeable blade holders are easy and quick to replace in case of damage (for instance caused by solid metal parts).

### Reusable indexable inserts

Each side has a long lifespan, making the cutting system particularly low maintenance. The flat shape of the blade ensures a higher throughput, reduces wear and tear and is not susceptible to non-shreddables made of metal.

### Low-wear main cutting bar

The low-wear main cutting bar lowers maintenance costs.



# LR520

## Single-shaft shredding system

Powerful technology, combined with the tried-and-tested UNTHA quality standards, make the LR520 not just the most reliable wood shredder in its class, but also one of the most affordable.

The LR520 is a single-shaft shredder that was developed especially for small wood-processing operations. Thanks to its unique, pusher-free construction, it requires very little space and is extremely low-maintenance.

The powerful drive concept, combined with the tried-and-tested UNTHA cutting system, ensures a highly reliable shredding process. The LR520 effortlessly shreds all kinds of residual wood, panels and long splinters. The homogeneous final product is extremely well suited for use in a wood-chip heating system or for manufacturing wood briquettes.

A low rated capacity and automatic shut-off in case of idling considerably reduce energy costs.

### Areas of application

- » Hard and soft wood
- » OSB
- » Chipboard panels
- » MDF panels
- » Veneers
- » etc.



# Your benefits at a glance

---



## Reliable, cost-effective cutting system

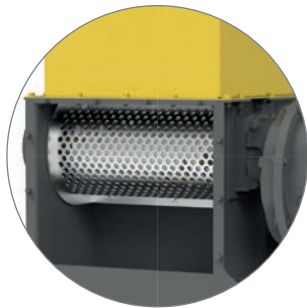
The large rotor diameter (248 mm) and screen surface ensure a high throughput.

The screwed-in, exchangeable blade holders are easy and quick to replace in case of damage (for instance caused by solid metal parts). The precise cutting gap between the cutting bar and the indexable inserts makes the shredding process particularly efficient.

## Unique geometry of the indexable inserts

The reusable indexable inserts have a long service life. Their unique cutting geometry ensures a “cut-as-you-pull” effect that makes for particularly effective shredding even of wet wood.

The positive connection between the indexable insert and the blade holders prevents the fastening bolt from becoming deformed. It is easy to loosen and remove even after many hours of operation.



## Low-wear perforated screen

Depending on the requirements, a range of screens ensure the production of pre-defined wood chips. The shredded material is then removed via a suction mechanism or a screw conveyor.

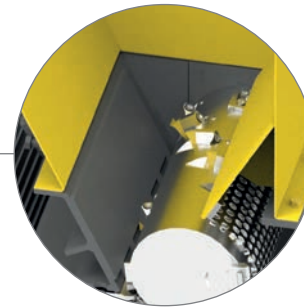
The special design of the perforated screen provides a particularly homogeneous final product that is ideal for briquetting or use in a wood-chip heating system.





### Pusher-free design

The pusher-free design (hopper and cutting system) makes this unit highly compact and space-saving (footprint of < 1 m<sup>2</sup>). The shredder is also particularly low in maintenance.



### Unique warranty

As a proof of our excellent product quality, we are happy to offer you a 3-year warranty\*. Many renowned companies already put their trust in our quality standards.

\*3 years or 2000 hours, depending on which value is reached first.



### Energy-efficient, failure-free drive concept

The tried-and-tested belt drive and elastomer damper absorb shocks and vibrations and ensure the smooth running of the machine. The automatic reverse function, detection of non-shreddables and shut-off function protect the drive unit. The automatic shut-off function shuts down the machine when idling, further lowering energy costs.

## Options

### Mechanical extras

- » Screw conveyor

### Electrical extras

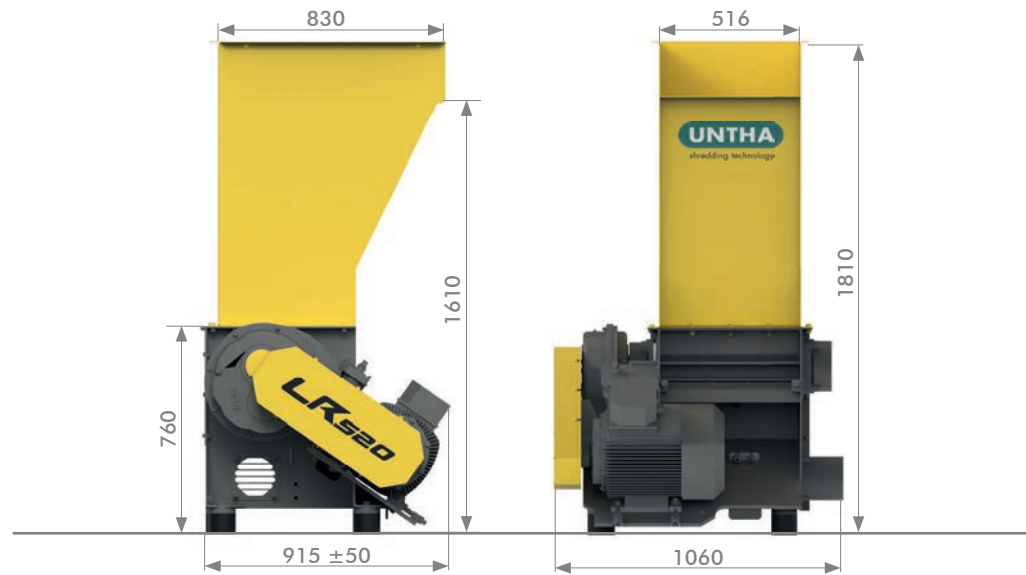
- » Control system upgrade (light barrier)
- » Integration of peripheral devices into the control system
- » Suction mechanism activation
- » Automatic start

### Accessories

- » Customer-specific undercarriages
- » Range of discharge feed systems (conveyor belts, etc.)
- » Range of metal separation units

### Service

- » UNTHA Carefree Packages (Basic, Standard, Professional): Ensure that machines are technically sound and ready for use at all times.



TECHNICAL DATA		LR520
Rated capacity of the rotor	kW	1 x 11
Ø Rotor	mm	248
Rotor speed	rpm	85
Number of indexable inserts	pcs.	14
Feed opening	mm	516 x 830
Ø Suction nozzles	mm	160
Required suction speed	m/s	22
Weight	kg	approx. 650
Workspace-specific sound pressure level LPA 1m	dB (A)	82
Ø Perforated screen	mm	12 - 30
Throughput rates*	srm/h	Up to 1

\*) Dependent on type of material and diameter of perforated screen  
All dimensions in mm

## UNTHA shredding technology GmbH

Kellau 141

5431 Kuchl | Österreich

Tel.: +43 6244 7016 0

Fax: +43 6244 7016 1

info@untha.com

www.untha.com

## 5 reasons to choose UNTHA



Customised, long-lasting shredding solutions



Premium quality products and services



All-encompassing expertise, from development to production, under one roof



Reliable customer service with the best technical know-how



More than 10,000 satisfied reference customers worldwide

Authorised UNTHA sales partner

## We deliver what we promise

Since our founding in 1970, we've followed our promise of being "the reliable brand", which applies to every product and service that UNTHA delivers.

We work hard to consistently outperform our competitors, and provide customers with the confidence that – in choosing UNTHA – they have made the best decision for their business.

All revisions reserved. Subject to setting and printing errors.  
All illustrations are representative and may deviate from the actual product.  
© 12/20 UNTHA shredding technology